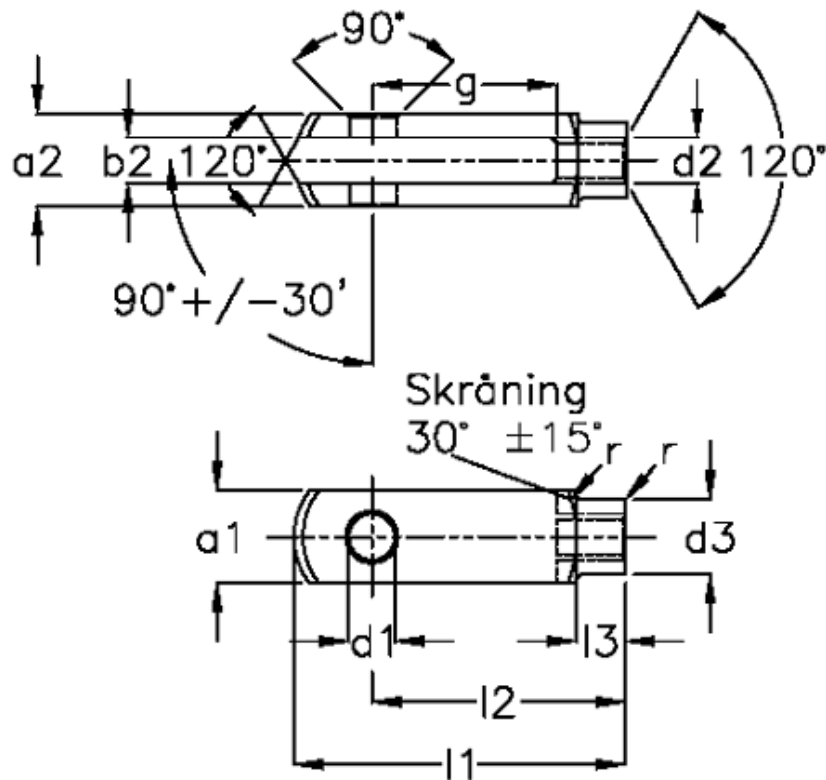


Article number: 1405725501

Description: KLEE St. steel Fork joint G 25x50
M24, left

Measures



a1 (h11)	= 50	g (+/-0.5)	= 50
a2	= 50 (+0,5 -0,2)	l1 (+/-0.5)	= 132
b1 (B13)	= 25	l2	= 100 (-0,4)
b2	= 25 (+0,85)	l3	= 36
d1 H9	= 25	r	= 1.5
d2	= M 24 x 3	Size	= G 25 x 50
d3 (+/-0.3)	= 42	Weight	= 1.100
f (+/-0.2)	= 1.5		